

 ShenGang Street, Jiangyin City, Jiangsu, China

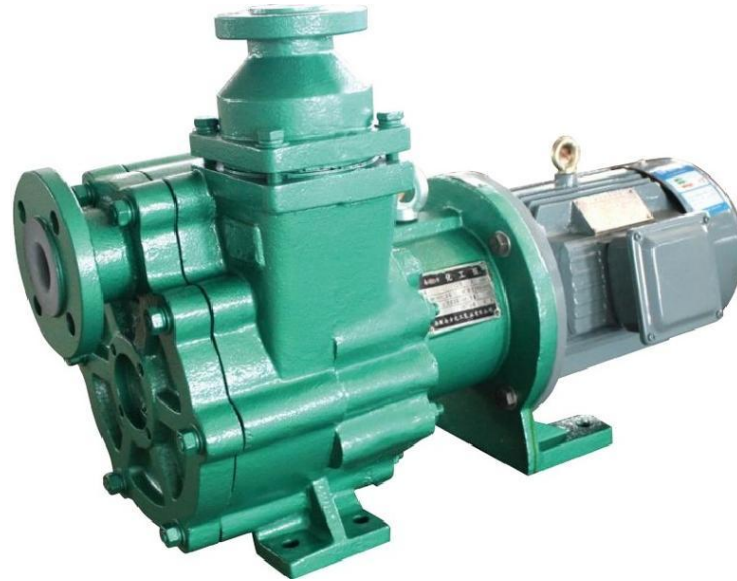
 info@virheos.com, julian@virheos.com
contact@virheos.com

 +86 18118922905

<https://virheos.com>

ZMD

**LINED-IN FLUORINE PLASTIC
SELF-PRIMING MAGNETIC DRIVEN PUMP**



- **Working Conditions**

Pump Diameter:25mm-150mm Working Temperature :-20 -150

Flow Capacity Range:3m³/h-250m³/h

Pump Head Range:12.5m-50m

Materials Range:Lined-in FEP(F46),PFA.

Designed Standard:API685

- **Application Fields**

Biological medicine, petrochemical, mining, metallurgy, textile printing and dyeing,electricity, food, papermaking, electroplating, sewage treatment, flue gas treatment, new energy,new materials and other industries.

- **Pump Usage**

Applicable for the transportation of flammable and explosive, volatile, poisonous, harmful, valuable, and highly corrosive cleaning media; such as any concentration of acids and alkalis, salts, solvents, strong oxidizers, etc.

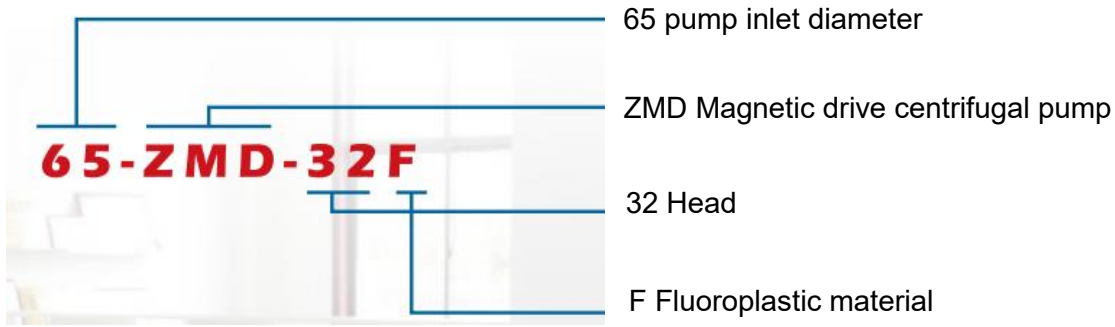
Designed Instruction

The ZMD series fluoroplastic magnetic self-priming pump integrates the characteristics of both magnetic pumps and self-priming pumps, combining the leak-proof function of magnetic pumps with the self-priming function of self-priming centrifugal pumps. It features a maximum self-priming height of 4 meters. When the liquid level is below the pump inlet, it remains an optimal choice for conveying corrosive media and can serve as a substitute for submersible pumps.

Performance Parameter Table

Model No	Flow Capacity (m³/h)	Pump Head (m)	Motor Power (KW)	Rotating Speed (r/min)	Efficiency (%)	NPSH (m)	Diameter (mm)		Self-Priming Height (m)	Self-Priming Time (s)				
							Inlet	Outlet						
40ZMD-20F	3	21	2.2	2900	22	3	40	25	1	150				
	6	20			36									
	10	18			48									
40ZMD-30F	3	34	4		16	3					50	50	3	150
	6	30			24									
	10	28			33									
50ZMD-20F	8	22	2.2		25	3	50	25	1	150				
	12	20			35									
	12.5	18			42									
50ZMD-30F	8	34	5.5		40	3					50	50	3	180
	12.5	30			44									
	15	28			32									
50ZMD-45F	8	48	7.5	26	3	50	40	3	180					
	12.5	45		35										
	15	40		38										
65ZMD-30F	20	34	7.5	45	3.5					65	50	3	200	
	30	32		52										
	35	28		48										
65ZMD-45F	20	46	11	40	4.5	65	40	3	200					
	25	45		44										
	35	40		40										
80ZMD-30F	35	34	11	50	3.5					80	65	3	200	
	50	30		55										
	65	28		50										
80ZMD-45F	35	48	18.5	38	4.5	80	65	3	200					
	50	45		50										
	60	40		48										
100ZMD-30F	70	34	18.5	41	4.5					100	80	3	220	
	100	30		50										
	110	28		48										
100ZMD-45F	70	48	30	54	5	100	80	3	250					
	100	45		55										
	110	30		38										

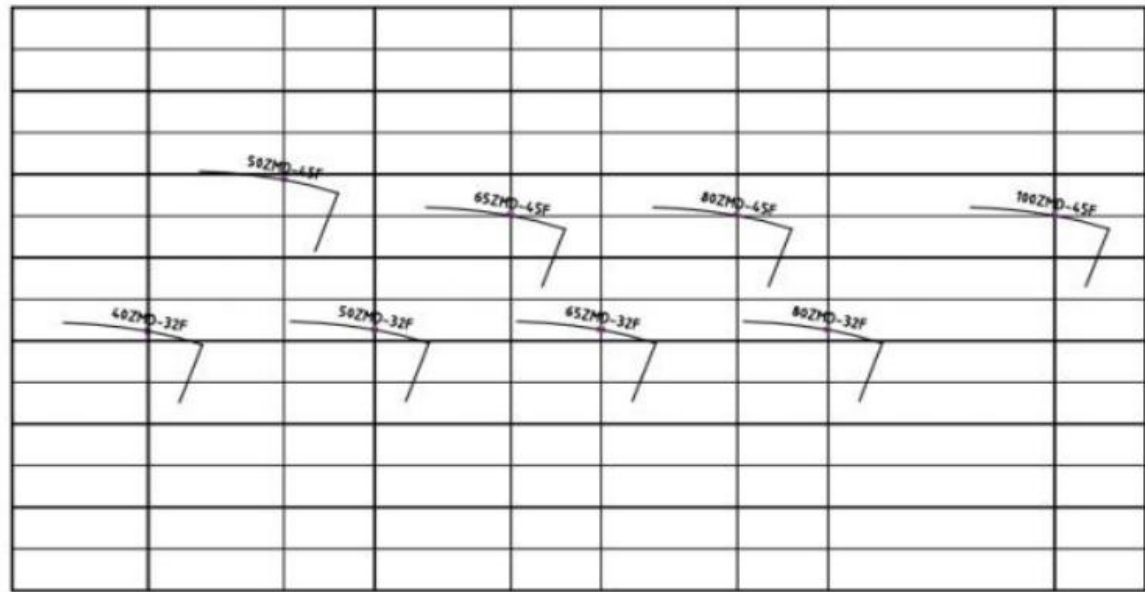
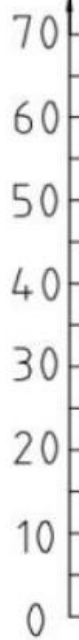
Model significance



Performance Curve

Head H

(m)



Flow Q
(m³/h)

Three dimensional figure and material structure

