



 ShenGang Street, Jiayangin City, Jiangsu, China

 info@virheos.com, julian@virheos.com
contact@virheos.com

 +86 18118922905

<https://virheos.com>

NQG

**STAINLESS STEEL VERTICAL
MAGNETIC PUMP**



- **Working Conditions**

Pump Diameter:25mm-250mm

Working Temperature :-40-350

Flow Capacity Range:3m³/h-800m³/h

Pump Head Range:12.5m-130m

Materials Range:SS304,SS316,SS316L,SS904

Designed Standard:HG/T2730

- **Application Fields**

Biological medicine, petrochemical, mining, metallurgy, textile printing and dyeing,electricity, food, papermaking, electroplating, sewage treatment, flue gas treatment, new energy,new materials and other industries.

- **Pump Usage**

Applicable to transport inflammable and explosive volatile,poisonous and harmful, valuable and highly corrosive cleaning medium; Such as any concentration of acid and alkali, salt, solvent, strong oxidizer,etc.

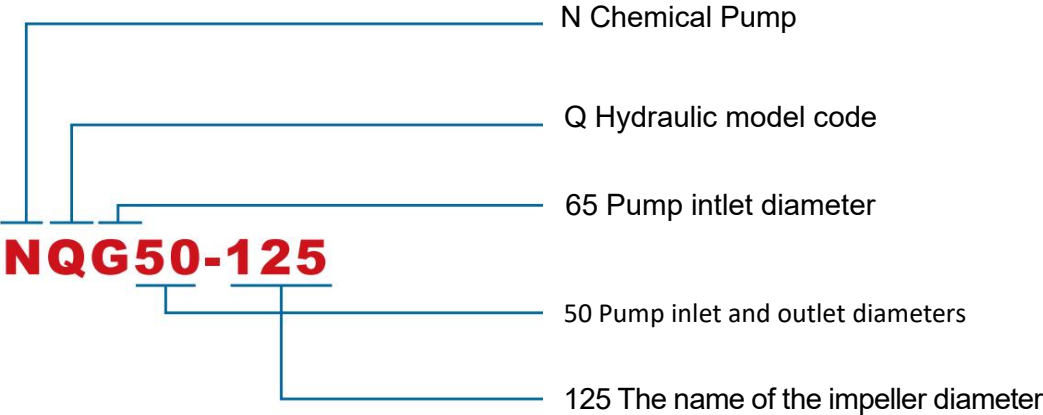
- **Designed Instruction**

NQG vertical magnetic pipeline pump and NQG-W(thermal insulation vertical magnetic pipeline pump)are new leak-free magnetic pumps developed by our company according to the current user and market demand,combined with the existing magnetic pumps and pipeline pumps in the market.The structure integrates the advantages and characteristics of the small space ocupied by the vertical ump,thus eliminating the inevitable phenomena of runing,emiting, dripping and leaking in the petrochemical industry and realizing no leakage.

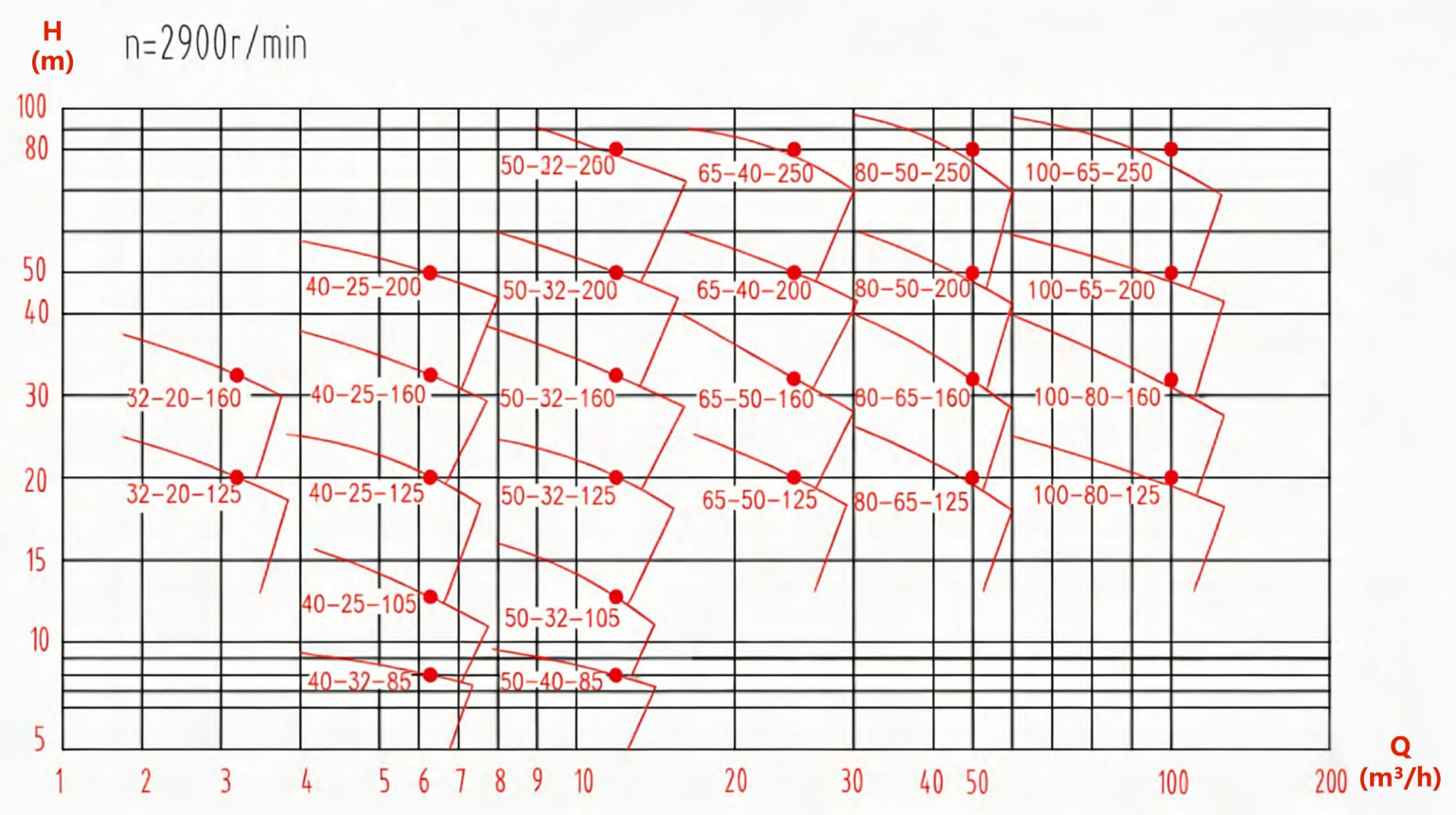
Performance Parameter Table

Model No	Fow Capacity (m3/h)	Pump Head(m)	NPSHr	Efficiency(%)	Water shaft power	Motor power	Rotating speed	Diameter(mm)
NQG25-160	3.2	32	2.3	19%	1.47	2.2	2900	25
NQG32-125	3.2	20	2.3	14%	1.25	1.5	2900	32
NQG32-160	3.2	32	2.3	12%	2.33	3	2900	32
NQG40-100	6.3	12.5	2.3	35%	0.61	1.1	2900	40
NQG40-125	6.3	20	2.3	25%	1.37	2.2	2900	40
NQG40-160	6.3	32	2.3	18%	3.05	4	2900	40
NQG40-200	6.3	50	2.3	13%	6.6	7.5	2900	40
NQG50-125	12.5	20	2.3	26%	2.62	3	2900	50
NQG50-160	12.5	32	2.3	25%	4.36	5.5	2900	50
NQG50-200	12.5	50	2.3	25%	6.81	7.5	2900	50
NQG65-100	25	12.5	2.5	50%	1.7	2.2	2900	65
NQG65-125	25	20	2.5	35%	3.89	5.5	2900	65
NQG65-160	25	32	2.5	37%	5.89	7.5	2900	65
NQG65-200	25	50	2.5	33%	10.32	15	2900	65
NQG80-125	50	20	3	31%	8.79	11	2900	80
NQG80-160	50	32	3	38%	11.47	15	2900	80
NQG80-200	50	50	3	40%	17.03	18.5	2900	80
NQG100-125	100	20	4.5	49%	11.12	15	2900	100
NQG100-160	100	32	4.5	42%	20.76	22	2900	100
NQG100-200	100	50	4	34%	40.07	45	2900	100
NQG100-250	100	80	4	44%	49.54	55	2900	100
NQG125-160	160	32	4	43%	32.44	37	2900	125
NQG125-200	160	50	4	42%	51.9	75	2900	125
NQG200-315(I)	400	32	4	55%	63.41	75	1450	200

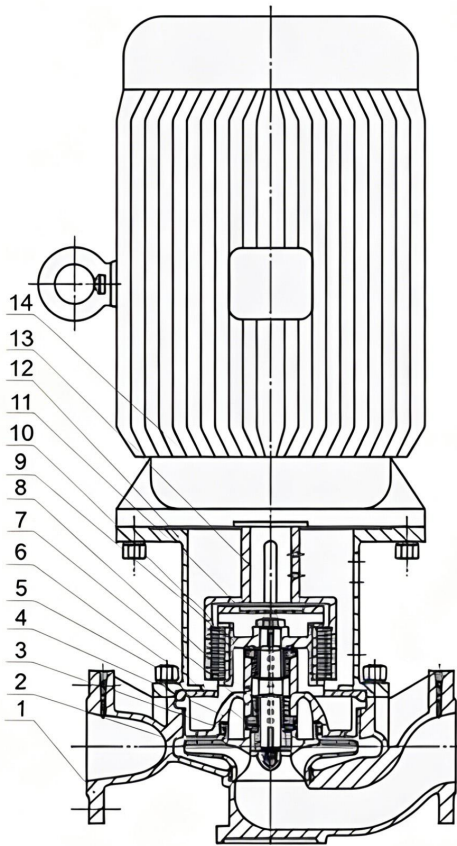
Model significance



Performance Curve



Three dimensional figure and material structure



- 1 Pump Casing
- 2 Impeller
- 3 Wear Ring
- 4 Bearing Housing
- 5 Isolation Sleeve
- 6 Thrust Ring
- 7 Bearing
- 8 Shaft Sleeve
- 9 Shaft
- 10 Inner Magnet Assembly
- 11 Nut
- 12 Connecting Frame
- 13 Outer Magnet Assembly
- 14 Motor