



 ShenGang Street, Jiagyin City, Jiangsu, China

 info@virheos.com, julian@virheos.com
contact@virheos.com

 +86 18118922905

<https://virheos.com>

QJ

CAST IRON DEEP WELL SUBMERSIBLE PUMP



► PRODUCT OVERVIEW

QJ deep well submersible pump is suitable for the extraction of groundwater from wells. The pump can be used for water treatment application in rivers, reservoirs, canals. It also can be used for water supply for irrigation and people and stocks in deep mountains and plateaus as well as water drainage in cities, factories, railways, mines and construction sites.

► FEATURES

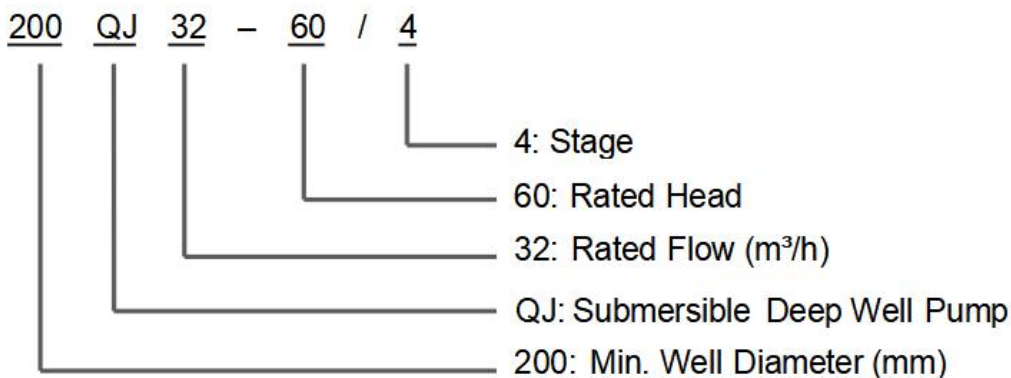
- The pump is directly coupled with the electric motor. It runs in the water, which is safe and reliable.
- There is no special requirement for well pipes and lifting pipes (i.e.: it can run in steel
- tube well, lime well and soil well. if the pressure permitted, steel, rubber, plastic pipe can be used as lifting pipes).
- Installation, running and maintenance is convenient and simple. It is less space demand, so there is no need to build a pump station.
- Simple structure, less material demand.

Reasonable working conditions and proper management of the submersible pump can prolong the service life time.

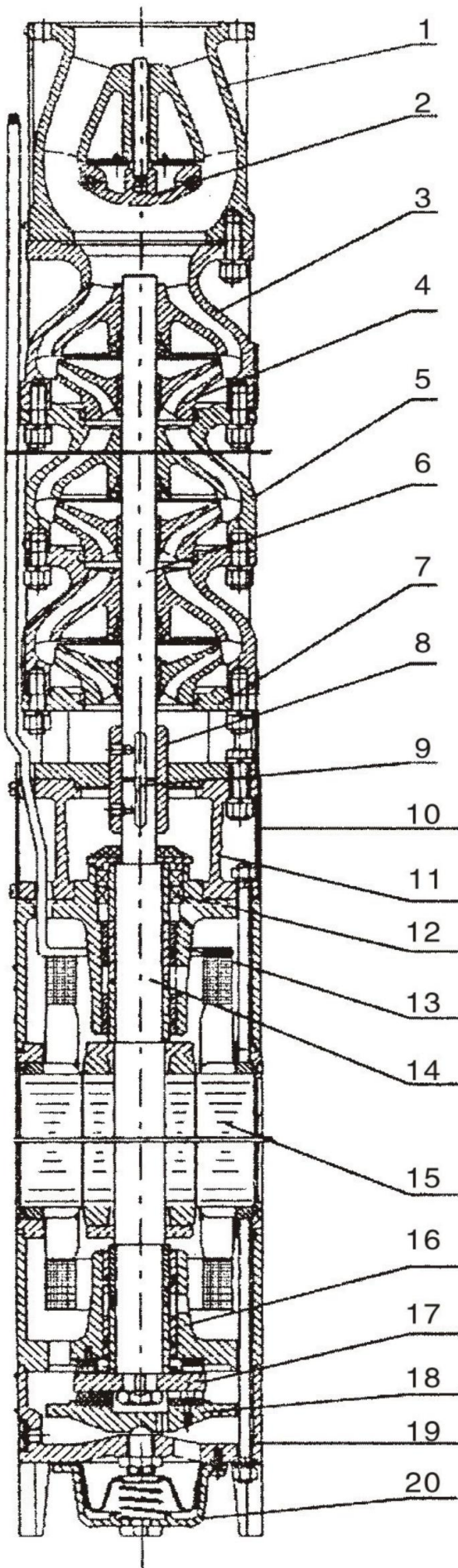
► APPLICATION CONDITIONS

- Rated frequency: 50HZ, rated voltage: 380V + 5%, 3 phases AC power supply.
- The water inlet of QJ submersible deep well pump must below 1 meter away from dynamic water level. Deep diving depth must not below 70 meters away from static water level. The lower part of motor must be above 1 meter away from underwater..
- Medium temperature: $\leq 200^{\circ}\text{C}$.
- Water quality requirements:(1) Solid contents of medium (in weight): $\leq 0.01\%$.
(2) PH range: 6.5~8.5.
(3) Chlorine ion content: $\leq 400\text{mg/L}$.

► MODEL MEANING

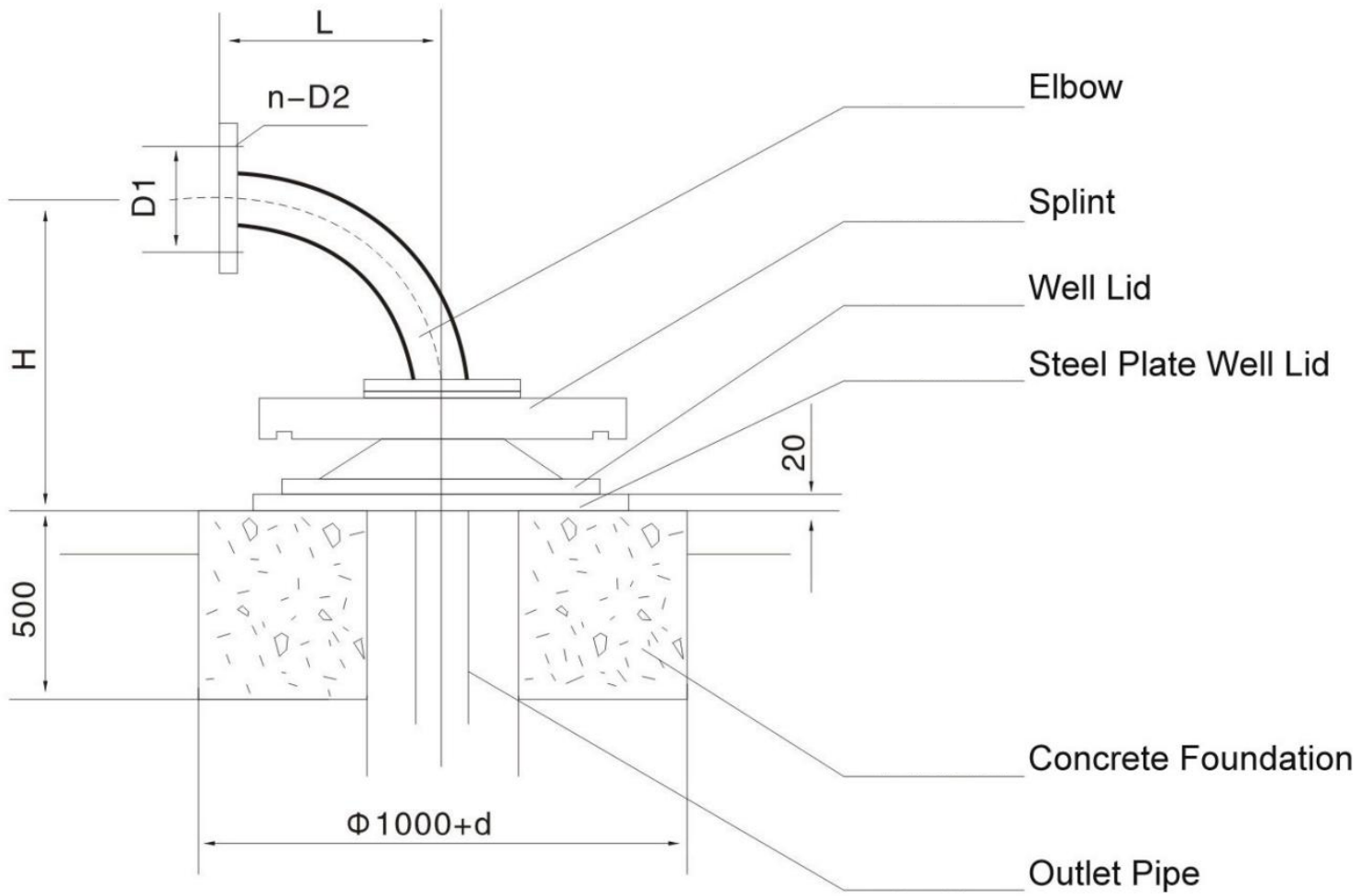


► STRUCTURAL DRAWING



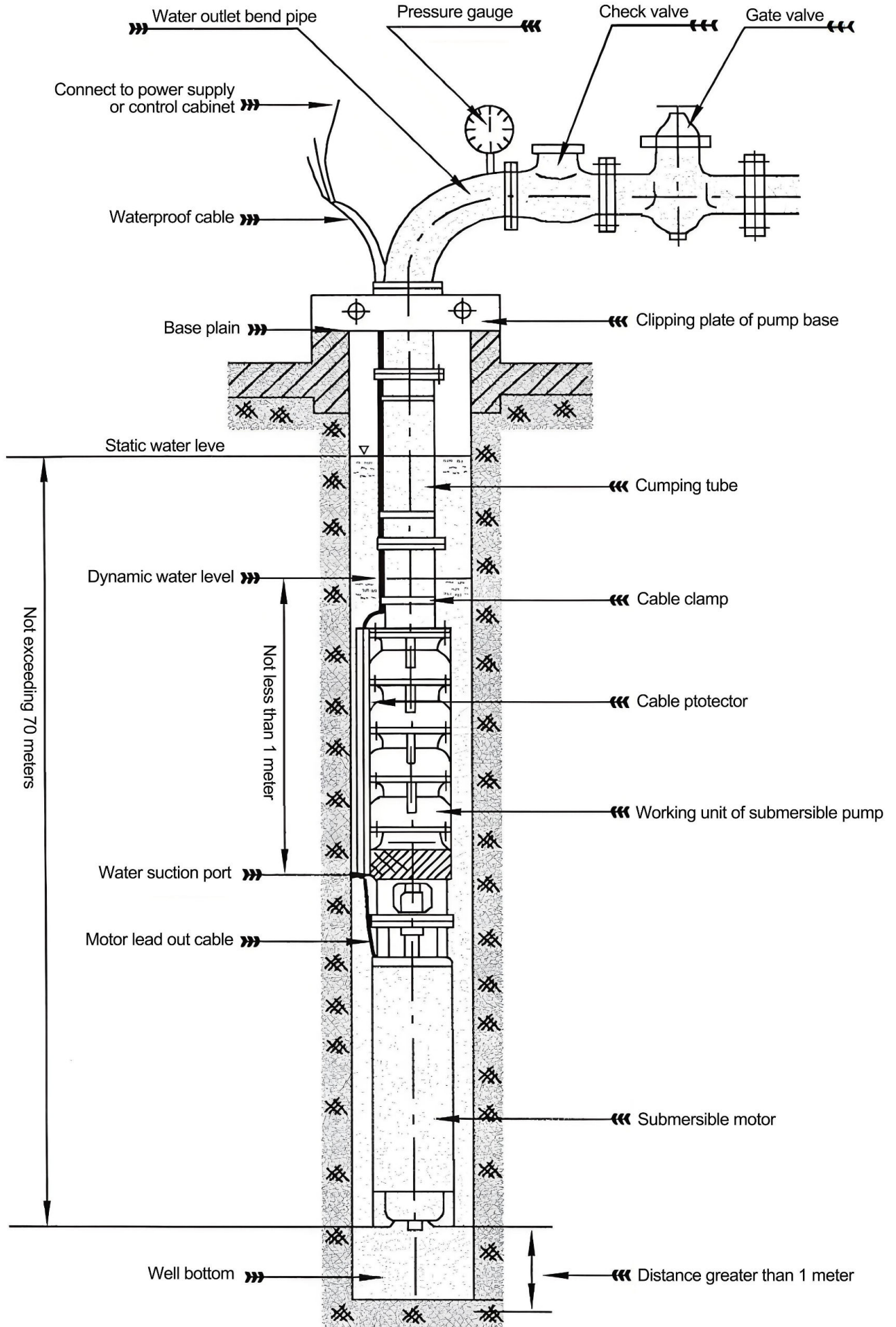
1	Component Of Check Valve
2	Check Valve
3	Upper Blower Inlet Casing
4	Impeller
5	Blower Inlet Casing
6	Shaft
7	Inflow Part
8	Coupling
9	Key
10	Water Strainer
11	Joint
12	Framework Oil Seal
13	Upper Guide Bearing
14	Rotor
15	Stator
16	Lower Guide Bearing
17	Thrust Plate
18	Upper Thrust Bearing
19	Mount
20	Pressure Regulating Cover

► STRUCTURE & SIZE



Pipe Outlet Dia. (inch)	H (mm)	L (mm)	D1 (mm)	n-D2	d (mm)
2	440	159	145	4- $\Phi 18$	Well Dia.
2A	433				
2.5	440				
3	442		160		
4	443	161	180	8- $\Phi 18$	
5	450	171	210		
6	474	177	240	8- $\Phi 23$	
8	547	225	295		

► INSTALLATION DIAGRAM



Model	Capacity (m3/h)	Head (m)	Power (kW)	Min. Well Dia. (inch)	Pipe Outlet Dia. (inch)	Electric Cable (mm2)
150QJ5-100	5	100	3	6	1.5"	3×1.5
150QJ5-150	5	150	4	6	1.5"	3×1.5
150QJ5-200	5	200	5.5	6	1.5"	3×2.5
150QJ5-250	5	250	7.5	6	1.5"	3×4
150QJ5-300	5	300	9.2	6	1.5"	3×4
150QJ10-50	10	50	3	6	2"	3×1.5
150QJ10-78	10	78	4	6	2"	3×1.5
150QJ10-100	10	100	5.5	6	2"	3×1.5
150QJ10-128	10	128	7.5	6	2"	3×4
150QJ10-150	10	150	7.5	6	2"	3×4
150QJ10-178	10	178	9.2	6	2"	3×4
150QJ10-200	10	200	11	6	2"	3×4
150QJ10-250	10	250	13	6	2"	3×6
150QJ10-300	10	300	15	6	2"	3×6
150QJ20-26	20	26	3	6	2"	3×1.5
150QJ20-33	20	33	3	6	2"	3×1.5
150QJ20-39	20	39	4	6	2"	3×1.5
150QJ20-46	20	46	5.5	6	2"	3×2.5
150QJ20-52	20	52	5.5	6	2"	3×2.5
150QJ20-59	20	59	5.5	6	2"	3×2.5
150QJ20-65	20	65	7.5	6	2"	3×4
150QJ20-72	20	72	7.5	6	2"	3×4
150QJ20-78	20	78	7.5	6	2"	3×4
150QJ20-85	20	85	9.2	6	2"	3×4
150QJ20-91	20	91	9.2	6	2"	3×4
150QJ20-98	20	98	9.2	6	2"	3×4
150QJ20-104	20	104	11	6	2"	3×4
150QJ20-111	20	111	11	6	2"	3×4
150QJ20-117	20	117	13	6	2"	3×6
150QJ20-124	20	124	13	6	2"	3×6
150QJ20-130	20	130	13	6	2"	3×6

Model	Capacity (m3/h)	Head (m)	Power (kW)	Min. Well Dia. (inch)	Pipe Outlet Dia. (inch)	Electric Cable (mm2)
150QJ20-137	20	137	15	6	2"	3×6
150QJ20-143	20	143	15	6	2"	3×6
150QJ20-150	20	150	15	6	2"	3×6
150QJ20-156	20	156	15	6	2"	3×6
150QJ20-163	20	163	15	6	2"	3×6
150QJ20-176	20	176	18.5	6	2"	3×10
150QJ20-182	20	182	18.5	6	2"	3×10
150QJ32-18	32	18	3	6	2.5"	3×1.5
150QJ32-24	32	24	4	6	2.5"	3×1.5
150QJ32-30	32	30	5.5	6	2.5"	3×2.5
150QJ32-36	32	36	5.5	6	2.5"	3×2.5
150QJ32-42	32	42	7.5	6	2.5"	3×4
150QJ32-54	32	54	9.2	6	2.5"	3×4
150QJ32-66	32	66	11	6	2.5"	3×4
150QJ32-72	32	72	13	6	2.5"	3×4
150QJ32-84	32	84	13	6	2.5"	3×6
150QJ32-90	32	90	15	6	2.5"	3×6
150QJ32-96	32	96	15	6	2.5"	3×6
150QJ32-108	32	105	18.5	6	2.5"	3×10
150QJ63-15	63	15	5.5	6	3"	3×2.5
150QJ63-21	63	21	7.5	6	3"	3×4
150QJ63-30	63	30	9.2	6	3"	3×4
150QJ63-36	63	36	11	6	3"	3×4
150QJ63-42	63	42	13	6	3"	3×6
150QJ63-48	63	48	15	6	3"	3×6
150QJ63-54	63	54	18.5	6	3"	3×10
175QJ10-42	10	42	3	7	2"	3×1.5
175QJ10-56	10	56	4	7	2"	3×1.5
175QJ10-70	10	70	4	7	2"	3×1.5
175QJ10-84	10	84	5.5	7	2"	3×2.5
175QJ10-96	10	96	7.5	7	2"	3×4
175QJ10-112	10	112	7.5	7	2"	3×4
175QJ10-126	10	126	7.5	7	2"	3×4
175QJ10-140	10	140	9.2	7	2"	3×4

Model	Capacity(m3/h)	Head(m)	Power(kW)	Min. WellDia. (inch)	Pipe OutletDia. (inch)	Electric Cable(mm2)
175QJ10-156	10	156	11	7	2"	3×4
175QJ15-42	15	42	4	7	2"	3×1.5
175QJ15-55	15	55	5.5	7	2"	3×2.5
175QJ15-65	15	65	5.5	7	2"	3×2.5
175QJ15-85	15	85	7.5	7	2"	3×4
175QJ15-112	15	112	11	7	2"	3×4
175QJ20-26	20	26	3	7	2"	3×1.5
175QJ20-30	20	30	3	7	2"	3×1.5
175QJ20-39	20	39	4	7	2"	3×1.5
175QJ20-52	20	52	5.5	7	2"	3×2.5
175QJ20-65	20	65	7.5	7	2"	3×4
175QJ20-78	20	78	7.5	7	2"	3×4
175QJ20-91	20	92	9.2	7	2"	3×4
175QJ20-104	20	104	11	7	2"	3×4
175QJ20-117	20	117	13	7	2"	3×6
175QJ20-130	20	130	13	7	2"	3×6
175QJ20-143	20	143	15	7	2"	3×6
175QJ20-156	20	156	15	7	2"	3×6
175QJ20-169	20	169	18.5	7	2"	3×10
175QJ20-182	20	182	18.5	7	2"	3×10
175QJ20-195	20	195	22	7	2"	3×10
175QJ20-208	20	208	22	7	2"	3×10
175QJ20-221	20	221	22	7	2"	3×10
175QJ20-234	20	234	25	7	2"	3×10
175QJ20-247	20	247	25	7	2"	3×10
175QJ20-273	20	273	30	7	2"	3×16
175QJ20-299	20	299	30	7	2"	3×16
175QJ20-325	20	325	32	7	2"	3×16
175QJ20-364	20	364	37	7	2"	3×16
175QJ25-34	25	34	4	7	2.5"	3×1.5
175QJ25-39	25	39	5.5	7	2.5"	3×2.5
175QJ25-65	25	65	7.5	7	2.5"	3×4
175QJ25-78	25	78	9.2	7	2.5"	3×4
175QJ25-91	25	91	11	7	2.5"	3×4

Model	Capacity (m3/h)	Head (m)	Power (kW)	Min. Well Dia. (inch)	Pipe Outlet Dia. (inch)	Electric Cable (mm2)
175QJ25-104	25	104	13	7	2.5"	3×6
175QJ25-130	25	130	15	7	2.5"	3×6
175QJ25-156	25	156	18.5	7	2.5"	3×10
175QJ25-182	25	182	22	7	2.5"	3×10
175QJ25-208	25	208	25	7	2.5"	3×10
175QJ25-221	25	221	30	7	2.5"	3×16
175QJ25-247	25	247	30	7	2.5"	3×16
175QJ25-260	25	260	32	7	2.5"	3×16
175QJ25-299	25	299	37	7	2.5"	3×16
175QJ30-30	30	30	4	7	2.5"	3×1.5
175QJ30-38	30	38	5.5	7	2.5"	3×2.5
175QJ30-40	30	40	5.5	7	2.5"	3×2.5
175QJ32-24	32	24	4	7	2.5"	3×1.5
175QJ32-36	32	35	5.5	7	2.5"	3×2.5
175QJ32-48	32	48	7.5	7	2.5"	3×4
175QJ32-72	32	72	11	7	2.5"	3×4
175QJ32-84	32	84	13	7	2.5"	3×6
175QJ32-96	32	96	15	7	2.5"	3×6
175QJ32-120	32	120	18.5	7	2.5"	3×10
175QJ32-144	32	144	22	7	2.5"	3×10
175QJ32-156	32	156	25	7	2.5"	3×10
175QJ32-168	32	168	25	7	2.5"	3×10
175QJ32-180	32	180	30	7	2.5"	3×16
175QJ32-192	32	195	30	7	2.5"	3×16
175QJ32-204	32	204	30	7	2.5"	3×16
175QJ32-240	32	240	37	7	2.5"	3×16
175QJ35-60	35	60	10	7	2.5"	3×4
175QJ35-75	35	75	13	7	2.5"	3×6
175QJ35-100	35	100	17	7	2.5"	3×6
175QJ40-24	40	24	5.5	7	2.5"	3×2.5
175QJ40-30	40	30	5.5	7	2.5"	3×2.5
175QJ40-36	40	36	7.5	7	2.5"	3×4
175QJ40-40	40	40	7.5	7	2.5"	3×4
175QJ40-48	40	48	9.2	7	2.5"	3×4

Model	Capacity (m3/h)	Head (m)	Power (kW)	Min. Well Dia. (inch)	Pipe Outlet Dia. (inch)	Electric Cable (mm2)
175QJ40-60	40	60	11	7	2.5"	3×4
175QJ40-72	40	72	13	7	2.5"	3×6
175QJ40-84	40	84	15	7	2.5"	3×6
175QJ40-96	40	96	18.5	7	2.5"	3×10
175QJ40-108	40	108	22	7	2.5"	3×10
175QJ40-120	40	120	22	7	2.5"	3×10
175QJ40-132	40	132	25	7	2.5"	3×10
175QJ40-144	40	144	30	7	2.5"	3×16
175QJ40-156	40	156	30	7	2.5"	3×16
175QJ40-168	40	168	32	7	2.5"	3×16
175QJ40-192	40	192	37	7	2.5"	3×16
175QJ50-24	50	24	5.5	7	3"	3×2.5
175QJ50-30	50	30	7.5	7	3"	3×4
175QJ50-39	50	39	7.5	7	3"	3×4
175QJ50-40	50	40	10	7	3"	3×4
175QJ50-48	50	48	11	7	3"	3×4
175QJ50-50	50	50	13	7	3"	3×6
175QJ50-60	50	60	13	7	3"	3×6
175QJ50-70	50	70	17	7	3"	3×6
175QJ50-84	50	84	18.5	7	3"	3×10
175QJ50-96	50	96	22	7	3"	3×10
175QJ50-108	50	108	25	7	3"	3×10
175QJ50-120	50	120	30	7	3"	3×16
175QJ50-132	50	132	30	7	3"	3×16
175QJ50-144	50	144	32	7	3"	3×16
175QJ50-156	50	156	37	7	3"	3×16
175QJ63-22	63	22	7.5	7	3"	3×4
175QJ63-33	63	33	9.2	7	3"	3×4
175QJ63-44	63	44	13	7	3"	3×6
175QJ63-55	63	55	15	7	3"	3×6
175QJ63-66	63	66	18.5	7	3"	3×10
175QJ63-77	63	77	22	7	3"	3×10
175QJ63-88	63	88	25	7	3"	3×10
175QJ63-99	63	99	30	7	3"	3×16

Model	Capacity (m3/h)	Head (m)	Power (kW)	Min. Well Dia. (inch)	Pipe Outlet Dia. (inch)	Electric Cable (mm2)
175QJ63-110	63	110	32	7	3"	3×16
175QJ63-132	63	132	37	7	3"	3×16
175QJ80-27	80	27	11	7	4"	3×4
175QJ80-36	80	36	15	7	4"	3×6
175QJ80-45	80	45	18.5	7	4"	3×10
175QJ80-54	80	54	22	7	4"	3×10
175QJ80-63	80	63	25	7	4"	3×10
175QJ80-72	80	72	25	7	4"	3×10
175QJ80-81	80	81	30	7	4"	3×16
175QJ80-99	80	99	37	7	4"	3×16
200QJ20-54	20	54	5.5	8	4"	3×2.5
200QJ20-67	20	67	7.5	8	2"	3×4
200QJ20-81	20	81	7.5	8	2"	3×4
200QJ20-93	20	93	9.2	8	2"	3×4
200QJ20-108	20	108	11	8	2"	3×4
200QJ20-121	20	121	13	8	2"	3×6
200QJ20-133	20	133	15	8	2"	3×6
200QJ20-148	20	148	15	8	2"	3×6
200QJ20-175	20	175	18.5	8	2"	3×10
200QJ20-202	20	202	22	8	2"	3×10
200QJ20-243	20	243	25	8	2"	3×10
200QJ20-270	20	270	30	8	2"	3×16
200QJ20-297	20	298	30	8	2"	3×16
200QJ25-42	25	42	5.5	8	2"	3×2.5
200QJ25-56	25	56	7.5	8	2"	3×4
200QJ25-70	25	70	9.2	8	2"	3×4
200QJ25-84	25	84	9.2	8	2"	3×4
200QJ25-98	25	98	11	8	2"	3×4
200QJ25-112	25	112	13	8	2"	3×6
200QJ25-126	25	126	15	8	2"	3×6
200QJ25-154	25	154	18.5	8	2"	3×10
200QJ25-172	25	172	22	8	2"	3×10
200QJ25-210	25	210	25	8	2"	3×10
200QJ25-252	25	252	30	8	2"	3×16

Model	Capacity (m3/h)	Head (m)	Power (kW)	Min. Well Dia. (inch)	Pipe Outlet Dia. (inch)	Electric Cable (mm2)
200QJ25-308	25	308	37	8	2"	3×16
200QJ32-39	32	39	5.5	8	2.5"	3×2.5
200QJ32-52	32	52	7.5	8	2.5"	3×4
200QJ32-65	32	65	11	8	2.5"	3×4
200QJ32-78	32	78	11	8	2.5"	3×4
200QJ32-91	32	91	13	8	2.5"	3×6
200QJ32-104	32	104	15	8	2.5"	3×6
200QJ32-130	32	130	18.5	8	2.5"	3×10
200QJ32-143	32	143	22	8	2.5"	3×10
200QJ32-156	32	156	25	8	2.5"	3×10
200QJ32-169	32	169	25	8	2.5"	3×10
200QJ32-195	32	195	30	8	2.5"	3×16
200QJ40-234	40	234	37	8	2.5"	3×16
200QJ40-247	40	247	37	8	2.5"	3×16
200QJ40-260	40	260	45	8	2.5"	3×25
200QJ40-26	40	26	5.5	8	2.5"	3×2.5
200QJ40-39	40	39	7.5	8	2.5"	3×4
200QJ40-52	40	52	9.2	8	2.5"	3×4
200QJ40-65	40	65	11	8	2.5"	3×4
200QJ40-78	40	78	15	8	2.5"	3×6
200QJ40-91	40	91	18.5	8	2.5"	3×10
200QJ40-104	40	104	18.5	8	2.5"	3×10
200QJ40-117	40	117	22	8	2.5"	3×10
200QJ40-143	40	143	25	8	2.5"	3×10
200QJ40-169	40	169	30	8	2.5"	3×16
200QJ40-182	40	182	37	8	2.5"	3×16
200QJ40-208	40	208	37	8	2.5"	3×16
200QJ40-234	40	234	45	8	2.5"	3×25
200QJ40-247	40	247	45	8	2.5"	3×25
200QJ50-26	50	26	5.5	8	3"	3×2.5
200QJ50-39	50	39	9.2	8	3"	3×4
200QJ50-52	50	52	11	8	3"	3×4
200QJ50-65	50	65	15	8	3"	3×6
200QJ50-78	50	78	18.5	8	3"	3×10

Model	Capacity (m3/h)	Head (m)	Power (kW)	Min. Well Dia. (inch)	Pipe Outlet Dia. (inch)	Electric Cable (mm2)
200QJ50-91	50	91	22	8	3"	3×10
200QJ50-104	50	104	25	8	3"	3×10
200QJ50-117	50	117	30	8	3"	3×16
200QJ50-130	50	130	30	8	3"	3×16
200QJ50-143	50	143	37	8	3"	3×16
200QJ50-156	50	156	37	8	3"	3×16
200QJ50-182	50	182	45	8	3"	3×25
200QJ50-196	50	196	45	8	3"	3×25
200QJ63-24	63	24	7.5	8	3"	3×4
200QJ63-36	63	36	11	8	3"	3×4
200QJ63-48	63	48	15	8	3"	3×6
200QJ63-60	63	60	18.5	8	3"	3×10
200QJ63-72	63	72	22	8	3"	3×10
200QJ63-84	63	84	25	8	3"	3×10
200QJ63-96	63	96	30	8	3"	3×16
200QJ63-108	63	108	37	8	3"	3×16
200QJ63-120	63	120	37	8	3"	3×16
200QJ63-144	63	144	45	8	3"	3×25
200QJ80-22	80	22	7.5	8	4"	3×4
200QJ80-33	80	33	11	8	4"	3×4
200QJ80-44	80	44	15	8	4"	3×6
200QJ80-55	80	55	18.5	8	4"	3×10
200QJ80-66	80	66	22	8	4"	3×10
200QJ80-77	80	77	25	8	4"	3×10
200QJ80-88	80	88	30	8	4"	3×16
200QJ80-99	80	99	37	8	4"	3×16
200QJ80-110	80	110	45	8	4"	3×25
200QJ80-121	80	121	45	8	4"	3×25
200QJ100-18	100	18	9.2	8	4"	3×4
200QJ100-36	100	36	18.5	8	4"	3×10
200QJ100-45	100	45	22	8	4"	3×10
200QJ100-54	100	54	25	8	4"	3×10
200QJ100-63	100	63	30	8	4"	3×16
200QJ100-72	100	72	37	8	4"	3×16

Model	Capacity (m3/h)	Head (m)	Power (kW)	Min. Well Dia. (inch)	Pipe Outlet Dia. (inch)	Electric Cable (mm2)
200QJ100-90	100	90	45	8	4"	3×25
250QJ40-110	40	110	18.5	10	2.5"	3×10
250QJ40-132	40	132	30	10	2.5"	3×16
250QJ40-154	40	154	30	10	2.5"	3×16
250QJ40-198	40	198	37	10	3"	3×16
250QJ50-80	50	80	18.5	10	3"	3×10
250QJ50-100	50	110	22	10	3"	3×10
250QJ50-120	50	120	25	10	3"	3×10
250QJ50-140	50	140	30	10	3"	3×16
250QJ50-160	50	160	37	10	3"	3×16
250QJ50-180	50	180	45	10	3"	3×25
250QJ50-200	50	200	45	10	3"	3×25
250QJ50-220	50	220	55	10	3"	3×25
250QJ50-240	50	240	55	10	3"	3×25
250QJ50-260	50	260	63	10	3"	3×35
250QJ50-280	50	280	63	10	3"	3×35
250QJ50-300	50	300	63	10	3"	3×35
250QJ50-320	50	320	75	10	3"	3×35
250QJ50-340	50	340	90	10	3"	3×60
250QJ50-360	50	360	90	10	3"	3×60
250QJ50-380	50	380	100	10	3"	3×60
250QJ50-400	50	100	100	10	3"	3×60
250QJ63-60	63	60	18.5	10	3"	3×10
250QJ63-80	63	80	22	10	3"	3×10
250QJ63-100	63	100	30	10	3"	3×16
250QJ63-120	63	120	37	10	3"	3×16
250QJ63-160	63	160	45	10	3"	3×25
250QJ63-200	63	200	55	10	3"	3×25
250QJ63-220	63	220	63	10	3"	3×35
250QJ63-260	63	260	75	10	3"	3×35
250QJ63-300	63	300	90	10	3"	3×50
250QJ63-360	63	360	100	10	3"	3×50
250QJ80-60	80	60	22	10	4"	3×10
250QJ80-80	80	80	30	10	4"	3×16

Model	Capacity (m3/h)	Head (m)	Power (kW)	Min. Well Dia. (inch)	Pipe Outlet Dia. (inch)	Electric Cable (mm2)
250QJ80-100	80	100	37	10	4"	3×16
250QJ80-120	80	120	45	10	4"	3×25
250QJ80-140	80	140	55	10	4"	3×25
250QJ80-160	80	160	55	10	4"	3×25
250QJ80-180	80	180	63	10	4"	3×35
250QJ80-200	80	200	75	10	4"	3×35
250QJ80-220	80	220	90	10	4"	3×50
250QJ80-240	80	240	90	10	4"	3×50
250QJ80-260	80	260	90	10	4"	3×50
250QJ80-280	80	280	100	10	4"	3×50
250QJ100-36	100	36	15	10	4"	3×6
250QJ100-54	100	54	25	10	4"	3×10
250QJ100-72	100	72	30	10	4"	3×16
250QJ100-90	100	90	37	10	4"	3×16
250QJ100-108	100	108	45	10	4"	3×25
250QJ100-126	100	126	55	10	4"	3×25
250QJ100-144	100	144	63	10	4"	3×35
250QJ100-162	100	162	75	10	4"	3×35
250QJ100-198	100	198	90	10	4"	3×50
250QJ100-216	100	216	100	10	4"	3×50
250QJ125-32	125	32	18.5	10	5"	3×10
250QJ125-48	125	48	25	10	5"	3×10
250QJ125-64	125	64	37	10	5"	3×16
250QJ125-80	125	80	45	10	5"	3×25
250QJ125-96	125	96	55	10	5"	3×25
250QJ125-112	125	112	63	10	5"	3×35
250QJ125-128	125	128	75	10	5"	3×35
250QJ125-144	125	144	90	10	5"	3×50
250QJ125-160	125	160	90	10	5"	3×50
250QJ125-176	125	176	100	10	5"	3×50
250QJ140-30	140	30	18.5	10	5"	3×10
250QJ140-45	140	45	30	10	5"	3×16
250QJ140-60	140	60	37	10	5"	3×16
250QJ140-75	140	75	45	10	5"	3×25

Model	Capacity (m3/h)	Head (m)	Power (kW)	Min. Well Dia. (inch)	Pipe Outlet Dia. (inch)	Electric Cable (mm2)
250QJ140-90	140	90	55	10	5"	3×25
250QJ140-105	140	105	63	10	5"	3×35
250QJ140-120	140	120	75	10	5"	3×35
250QJ140-150	140	150	90	10	5"	3×50
250QJ140-160	140	165	100	10	5"	3×50
250QJ200-40	200	40	18.5	10	5"	3×16
250QJ200-60	200	60	55	10	5"	3×25
250QJ200-80	200	80	75	10	5"	3×35
250QJ200-100	200	100	90	10	5"	3×50
250QJ200-120	200	120	100	10	5"	3×50
300QJ200-20	200	20	18.5	12	5"	3×10
300QJ200-40	200	40	37	12	5"	3×16
300QJ200-60	200	60	55	12	5"	3×25
300QJ200-80	200	80	75	12	5"	3×35
300QJ200-100	200	100	90	12	5"	3×50
300QJ200-120	200	120	100	12	5"	3×50
300QJ320-30	320	30	45	12	8"	3×25
300QJ320-60	320	60	90	12	8"	3×50